



Pressure switches
High quality at
fair prices



SKV-tec



PSW-A3

This pressure switch features a rotary control to change the switching point, facilitating its change. This switch is usually used in ventilating systems or heat exchangers. The hysteresis of the switch can be adjusted with a screw. The protection level of IP54 is achieved with the plastic cover. The switch is available as SPDT. The pressure ports are labeled.

Attention: Due to the small space, angled 6.3 mm plugs are necessary. Straight 6.3 mm plugs can damage the switch. Do not bend the electrical contacts! This will destroy the switch.

Technical Data

Medium	Air, other non combustible and non aggressive gases
Switching point	0.2 – 50 mbar (Hysteresis: 0.1, 0.2, 1, 1.5 and 2.5 mbar)
Maximum operating pressure	100 mbar
Degree of protection	IP54 (with cover)
Operating temperature	-40 °C - +85°C
Contact arrangement	SPDT (Single pole, double throw)
Electrical contacts	6.3 mm
Connection	6.0 mm outer diameter
Maximum current	1.5A (0,4A) at 250V
Initial resistance	< 50 mΩ
Assembly instruction	Diaphragm in any vertical plane
Tolerance	±15%
Size	104x86x57mm

Model	Switching point	Hysteresis
PSW-A3-02	0.2 ~ 2 mbar	0.1 mbar
PSW-A3-03	0.3 ~ 3 mbar	0.1 mbar
PSW-A3-04	0.4 ~ 4 mbar	0.2 mbar
PSW-A3-05	0.5 ~ 5mbar	0.2 mbar
PSW-A3-10	2 ~ 10 mbar	1 mbar
PSW-A3-25	5 ~ 25 mbar	1.5 mbar
PSW-A3-50	10 ~ 50 mbar	2.5 mbar



Stand: 11/2020; Änderung vorbehalten, Right of modification reserved, Sous réserve des modifications

SKV-tec GmbH
Forchheimer Str. 4
91338 Igensdorf - Germany
Tel.: +49 – (0) 9192- 995314 / Fax: 995268

Geschäftsführer:
Dipl.-Ing. (FH) Thomas Jakob und Dipl.-Ing.(FH) Robert Krämer
Handelsregister:
Bamberg, HRB 6436

www.druckschalter.shop
info@skv-tec.de
Onlineshop:
www.druckschalter.shop



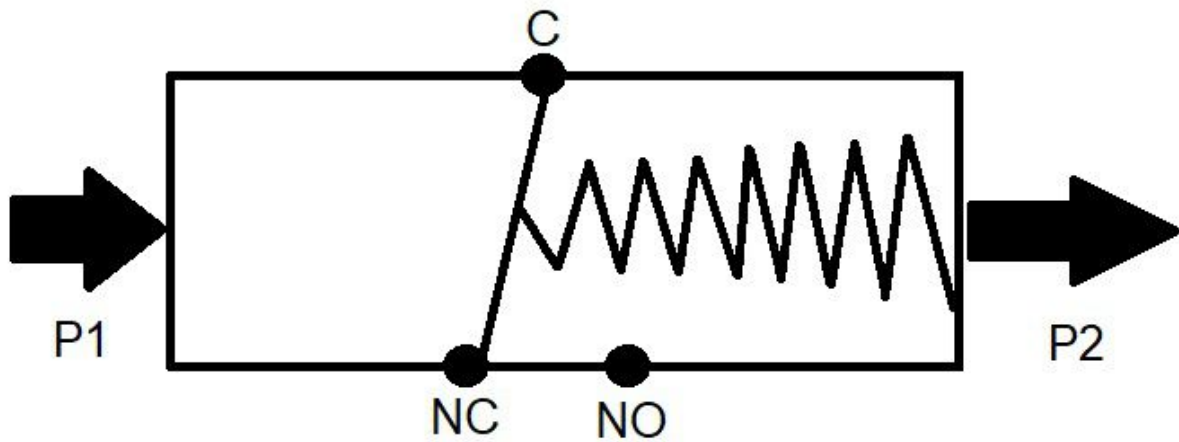
Pressure switches
High quality at
fair prices



SKV-tec



Information on connections:



P1, P2: Medium connections

C, NC, NO: Electrical connections

The names are also readable on the pressure switch

Stand: 11/2020; Änderung vorbehalten, Right of modification reserved, Sous réserve des modifications

SKV-tec GmbH
Forchheimer Str. 4
91338 Igensdorf - Germany
Tel.: +49 – (0) 9192- 995314 / Fax: 995268

Geschäftsführer:
Dipl.-Ing. (FH) Thomas Jakob und Dipl.-Ing.(FH) Robert Krämer
Handelsregister:
Bamberg, HRB 6436

www.druckschalter.shop
info@skv-tec.de
Onlineshop:
www.druckschalter.shop