



Pressure sensors
Pressure switches
Accessories



SKV-tec
High quality at fair prices



Pressure sensor PT2

This sensor was developed for measuring pressure economically. Besides the usual sensor tasks, such as providing input for feedback loops and constant surveillance, this sensor can also replace pressure switches.

Due to the high-quality materials, it is compatible with a large number of mediums. The sensor is temperature-compensated up to 80°C, increasing the accuracy of the measurements. Certain options are available as special orders, for example output signals with lower voltage to be used with single-board computers, different electrical connections and other threads for medium connections.

Technical data:

Signal (Power supply)	Two-wire design:	4~20 mA (12~30 VDC)
	Three-wire design:	0~10 V (12~30 VDC/AC) <u>on request:</u> 0.5~4.5 V (5 VDC) 0/1~5 V (10~30 VDC/AC)
Measurement range	-1 to 1 bar -1 to 0 bar 0 to 1 bar 0 to 2 bar 0 to 4 bar 0 to 16 bar 0 to 40 bar 0 to 100 bar others on request	
Overload pressure	1,5x f.s.	
Burst pressure	3x f.s.	
Accuracy	0.5% or 1.0% f.s.	
Long term stability	Typical 0.5%, max. 1.0% f.s.	
Permissible temperatures	Operating temperature: -40°C to 100°C Compensated temperature range: -10°C to 80°C Storage temperature: -50°C to 125°C	
Permissible mediums	Mediums compatible with 1Cr18Ni9Ti stainless steel and ceramics	
Medium connections	Usually G ¼", others on request	
Electrical resistance	Two-wire: 0,02 Ω Three-wire: >100 kΩ	
Electrical connections	On stock (others on request): - Packard - M12 (4-pole) - DIN43650A	
Degree of protection	IP 67	
Size	67,5 mm(Height), 24mm wrench size (also largest diameter)	

Stand: 09/2021; Änderung vorbehalten, Right of modification reserved, Sous réserve des modifications

SKV-tec GmbH
Forchheimer Str. 4
91338 Igensdorf - Germany
Tel.: +49 – (0) 9192- 995314 / Fax: 995268

Geschäftsführer:
Dipl.-Ing. (FH) Thomas Jakob und Dipl.-Ing.(FH) Robert Krämer
Handelsregister:
Bamberg, HRB 6436

www.druckschalter.shop
info@skv-tec.de
Onlineshop:
www.druckschalter.shop







Pressure sensors
Pressure switches
Accessories



SKV-tec
High quality at fair prices



Electrical connections:

			
Packard		M12	DIN43650A

Article code:

PT2	-	X	X	X	-	X	X	(- X)
Model								Maximum pressure in bar
Signal: 2 = 2-wire: 4~20 mA (12~30 VDC) 3 = 3-wire: 0~10 V (12~30 VDC/AC) 4 = 3-wire: 0.5~4.5 V (5 VDC) 5 = 3-wire: 0/1~5 V (10~30 VDC/AC)								
Measurement range: 1 = -1 to 1 bar 2 = -1 to 0 bar 3 = 0 to x bar (last column)								
Accuracy: 1 = 0,5% 2 = 1,0%								
Medium connection: 1 = G 1/4" 2 = M20 x 1,5								
Electrical Connection: 1 = Packard 2 = M12 3 = DIN43650A 4 = DIN43650C 5 = Cable								

Stand: 09/2021; Änderung vorbehalten, Right of modification reserved, Sous réserve des modifications

SKV-tec GmbH
Forchheimer Str. 4
91338 Igensdorf - Germany
Tel.: +49 – (0) 9192- 995314 / Fax: 995268

Geschäftsführer:
Dipl.-Ing. (FH) Thomas Jakob und Dipl.-Ing.(FH) Robert Krämer
Handelsregister:
Bamberg, HRB 6436

www.druckschalter.shop
info@skv-tec.de
Onlineshop:
www.druckschalter.shop



Pressure sensors
Pressure switches
Accessories

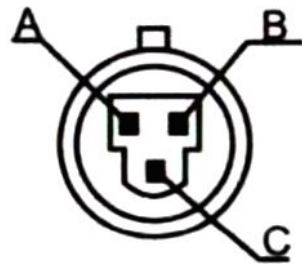


SKV-tec
High quality at fair prices

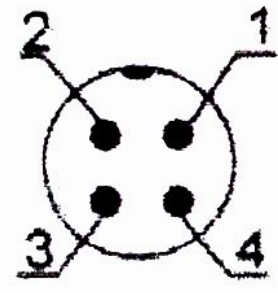


Pin layouts:

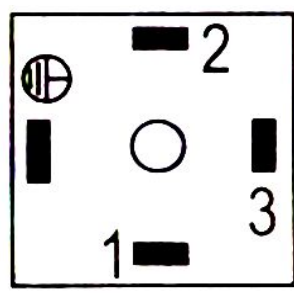
Packard (Metripack 150 3-pole)

<p>4 – 20 mA (2-wire) A: Signal (+) B: VCC (+)</p>	<p>0 – 10 V (3-wire) A: GND B: VCC (+) C: Signal (+)</p>	
--	--	---

M12

<p>4 – 20 mA (2-wire) 1: VCC (+) 2: Signal</p>	<p>0 – 10 V (3-wire) 1: VCC (+) 2: empty 3: GND 4: Signal</p>	
--	---	--

DIN 43650 A

<p>4 – 20 mA (2-wire) 1: VCC (+) 2: Signal</p>	<p>0 – 10 V (3-wire) 1: VCC (+) 2: GND 3: Signal</p>	
--	--	---

Stand: 09/2021; Änderung vorbehalten, Right of modification reserved, Sous réserve des modifications

SKV-tec GmbH
Forchheimer Str. 4
91338 Igensdorf - Germany
Tel.: +49 – (0) 9192- 995314 / Fax: 995268

Geschäftsführer:
Dipl.-Ing. (FH) Thomas Jakob und Dipl.-Ing.(FH) Robert Krämer
Handelsregister:
Bamberg, HRB 6436

www.druckschalter.shop
info@skv-tec.de
Onlineshop:
www.druckschalter.shop



Pressure sensors
Pressure switches
Accessories



SKV-tec
High quality at fair prices



Display NOM11

This display is intended as a fast and simple addition into existing measuring systems to show both the original signal and the calculated measurement value. The display works with the usual power supply of the sensor, therefore no additional power source is necessary. Due to the low price, this display can both be used to quickly check on sensors, as well as remain with a sensor indefinitely.

The display lighting keeps the output readable even in the dark. Furthermore the display can be rotated a bit around the electrical connection, making it even easier to use.

With its quick configuration, this display becomes a tool to check measurement systems during normal operation.

Technical data

Signal	4 – 20 mA (Two-wire) or 0 – 10 VDC (Three-wire)
Display	-1999 – 19999 (4,5 digits LCD) main display, 0 – 100% Signal input display, unit display: Kpa, Mpa, Pa, Bar, mbar, PSI, °C, °F, kg/cm ² , atm, mmHg, mH ₂ O, m, cm, mm, V, mV, A, mA
Internal resolution	16-bit AD
Accuracy	0,1 %
Voltage drop	< 3,5 V DC
Permissible temperature	Operating temperature: -20°C bis 70°C
Temperature drift	< 50 ppm
Scope of delivery	Display, gasket, long screw (87,5 mm)
Electrical protection	30 mA over current protection, reverse polarity protection
Electrical connection	Usually DIN 43650A, M12 on request
Degree of protection	IP 65
Size	58 mm (Height)(DIN 43650A), 42x42mm

NOM11	-	X	X
Model			
Signal (1 = 0 – 10V; 2 = 4 – 20 mA)			
Electrical connection (1 = DIN 43650A; 2 = M12)			



Stand: 06/2020; Änderung vorbehalten, Right of modification reserved, Sous réserve des modifications

SKV-tec GmbH
Forchheimer Str. 4
91338 Igensdorf - Germany
Tel.: +49 – (0) 9192- 995314 / Fax: 995268

Geschäftsführer:
Dipl.-Ing. (FH) Thomas Jakob und Dipl.-Ing.(FH) Robert Krämer
Handelsregister:
Bamberg, HRB 6436

www.druckschalter.shop
info@skv-tec.de
Onlineshop:
www.druckschalter.shop



Pressure sensors
Pressure switches
Accessories



SKV-tec
High quality at fair prices



Manual

Electrical connection:

Pin	4 – 20 mA (Two-Wire)	0 – 10 V (Three-Wire)
1	VCC(+)	VCC(+)
2	Signal	Ground
3	empty	Signal

Configuration:

1. Hold S for the password field. Then enter the password “000006” with the arrow keys. Up to change a digit's value, down to change the digit.

2. Then you are in the configuration menu with the following sections:

Menu label	Input	Possible options
“Unit” – Displayed unit	S to enter Up, down for selection S to confirm	Kpa, Mpa, Pa, bar, mbar, PSI, °C, °F, kg/cm ² , atm, mmHG, mH2O, m, cm, mm, V, mV, A, mA
“Dot” – Decimal dot	S to enter Up, Down to move the dot S to confirm	Note: Decimal dot is the same everywhere
“Zero” – Low limit	S to enter Up, Down to set S to confirm	Set the low end of the range
“Neg” - Sign	S to enter Up, Down to change S to confirm	Set the sign (positive or negative value) of the low end of the range
“Full” – Upper limit	Same as “Zero”	Set the upper end of the range
“Neg” - Sign	As above	Set the sign of the upper end of the range
“Bias” - Correction	S to enter Up, Down to set S to confirm	Correct the displayed value. For example to correct a deviation of +20, -20 has to be entered
“Save” - Save	S to enter Up, Down for Y/N choice S to confirm	You have to save in the end, otherwise the changes will be discarded
“End” – Leave Menu	S to leave	

Stand: 06/2020; Änderung vorbehalten, Right of modification reserved, Sous réserve des modifications

SKV-tec GmbH
Forchheimer Str. 4
91338 Igensdorf - Germany
Tel.: +49 – (0) 9192- 995314 / Fax: 995268

Geschäftsführer:
Dipl.-Ing. (FH) Thomas Jakob und Dipl.-Ing.(FH) Robert Krämer
Handelsregister:
Bamberg, HRB 6436

www.druckschalter.shop
info@skv-tec.de
Onlineshop:
www.druckschalter.shop